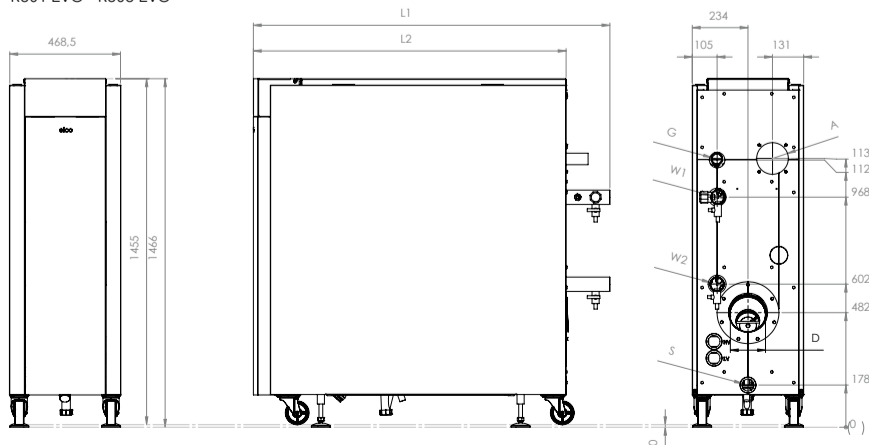


# Technical Specifications

## R600 EVO Water Heater

R600 EVO		R601 EVO	R602 EVO	R603 EVO	R604 EVO	R605 EVO	R606 EVO	R607 EVO
Nominal heat output at 80/60 °C	kW	142,3	190,4	237,6	285,7	381,3	476,7	540,2
Minimum heat output at 80/60 °C	kW	31,3	42,0	47,0	56,5	75,2	94,6	120,0
Nominal heat output at 50/30 °C	kW	149,4	199,9	249,7	300,3	401,1	503,2	572,8
Minimum heat output at 50/30 °C	kW	35,1	47,0	52,9	63,6	85,0	106,1	133,4
Nominal heat input Hi full load	kW	145,0	194,0	242,0	291,0	388,0	485,0	550,0
Minimum heat input Hi min. load	kW	32,2	43,1	48,4	58,2	77,6	97,0	122,2
Efficiency at 80/60 °C full load	%	98,2	98,2	98,2	98,2	98,3	98,3	98,2
Efficiency at 50/30 °C min. load	%	109,2	109,2	109,4	109,4	109,5	109,4	109,2
Efficiency at 40/30 °C min. load	%	110,0	110,0	110,3	110,3	110,3	110,3	110,5
Annual efficiency (NNG 40/30 °C)	%	110,4	110,4	110,4	110,4	110,4	110,4	110,3
NOx level (EN15502)	mg/kWh	28	28	27	27	26	29	31
Flue gas temperature at 80/60 °C full load	°C	75	75	75	75	75	75	76
Max. permissible flue resistance	Pa	200	200	200	160	400	300	400
Water pressure max./min.	bar	8/1	8/1	8/1	8/1	8/1	8/1	8/1
Maximum temperature setpoint	°C	90	90	90	90	90	90	90
Water flow at ΔT=10K	m³/h	12,1	16,2	20,3	24,4	32,5	40,7	46,1
Hydraulic resistance at ΔT=10K	kPa	45	107	125	48	129	137	228
Water flow at ΔT=20K	m³/h	6,1	8,1	10,1	12,2	16,3	20,3	23,1
Hydraulic resistance at ΔT=20K	kPa	11	27	31	12	32	34	57
Water flow at ΔT=30K	m³/h	4,0	5,4	6,8	8,1	10,8	13,6	15,4
Hydraulic resistance at ΔT=30K	kPa	5	12	14	5	14	15	25
Electrical connection	V	230/400	230/400	230/400	230/400	230/400	230/400	230/400
Electrical power consumption (excl. pump)	W	176	267	286	230	504	620	676
Noise level	dB(A)	70,3	70,3	70,3	70,3	77,3	77,3	77,3
Water content	l	27,0	31,0	35,0	61,0	68,0	75,0	82,0
Weight (empty)	kg	290	332	336	434	496	540	595
<b>Dimensions</b>								
Water connections (W1/W2)	-	R2"	R2"	R2"	DN65 PN16	DN65 PN16	DN65 PN16	DN65 PN16
Gas connection (G)	-	R11/2"	R11/2"	R11/2"	R11/2"	R11/2"	R2"	R2"
Flue gas connection (D)	mm	150	150	200	200	250	250	250
Air intake connection (A) (for room sealed use)	mm	130	130	130	130	130	150	150
Condensate connection (S)	mm	32	32	32	32	32	32	32
Boiler length with water connection (L1)	mm	1349	1499	1649	1348	1496	1646	1769
Boiler length without water connection (L2)	mm	1165	1315	1465	1152	1302	1452	1602

R601 EVO - R603 EVO



R604 EVO - R607 EVO

